



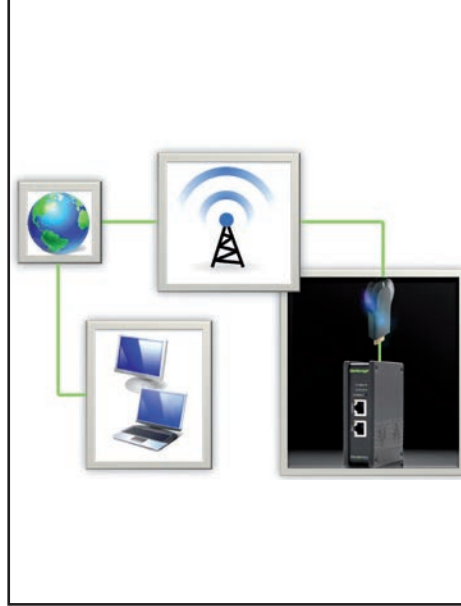
SEALING BAR ACTUATION WITH SERVOMOTOR

Performance and functionality

- Book format servo driver
- Lexium 32 simplifies all aspects of the machine's life from design, to installation, to maintenance

Performance and compact size

- with a 1600 Hz bandwidth to assure the highest control performance
- with a power density of 548 W/l, Lexium 32 assures the maximum power in the smallest overall dimensions
- it lets you control the sealing bar in terms of speed, pressure and opening control without any need for compressed air (model Pratika MPE, MPS, MPE inox and MPS Servo)



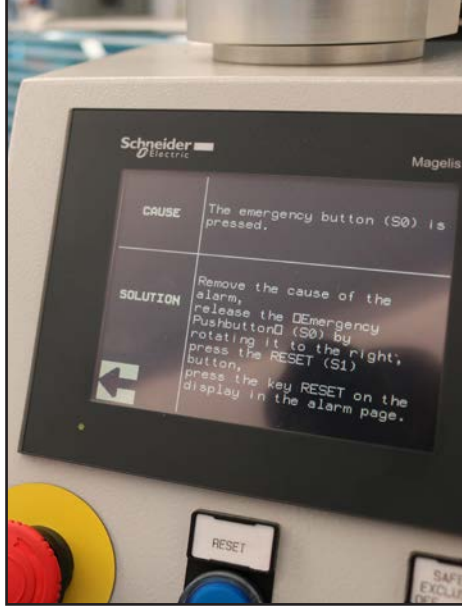
INNOVATIVE WORLDWIDE SUPPORT SYSTEM

No more support issues, with the new (optional) Minipack-Torre remote support system.

This helps us pursue our ambitious program for 2020: to be able to request and service any machine, at any client site, anywhere in the world, all from the comfort of our desks.

The first step has been taken by installing the SE 1029 system. With a small investment, the machine can be monitored directly by our Assistance Centre in the Dalmine headquarters (Italy).

Thanks to this tool, it is possible to intervene remotely, to modify a parameter or perform any type of diagnostics check. In this way, we can identify and solve up to 70% of the causes for malfunction.



TROUBLESHOOTING

This initially starts by identifying the malfunction and then determining its cause through a process of progressive elimination of possible known causes.

Troubleshooting is used in engineering, electronics, computer science and software development as well as in many other fields: all Pratika machines are equipped with this tool as standard.



TECHNOLOGICAL BOX FOR DIAGNOSTICS AND UPGRADES

With this Box (optional) technical service is easier and faster.

By connecting the box with the machine the device will perform a diagnostics check with a direct connection with the Assistance Centre in the Dalmine headquarters (Italy).



minipack® - torre

UNEXPECTED IDEAS

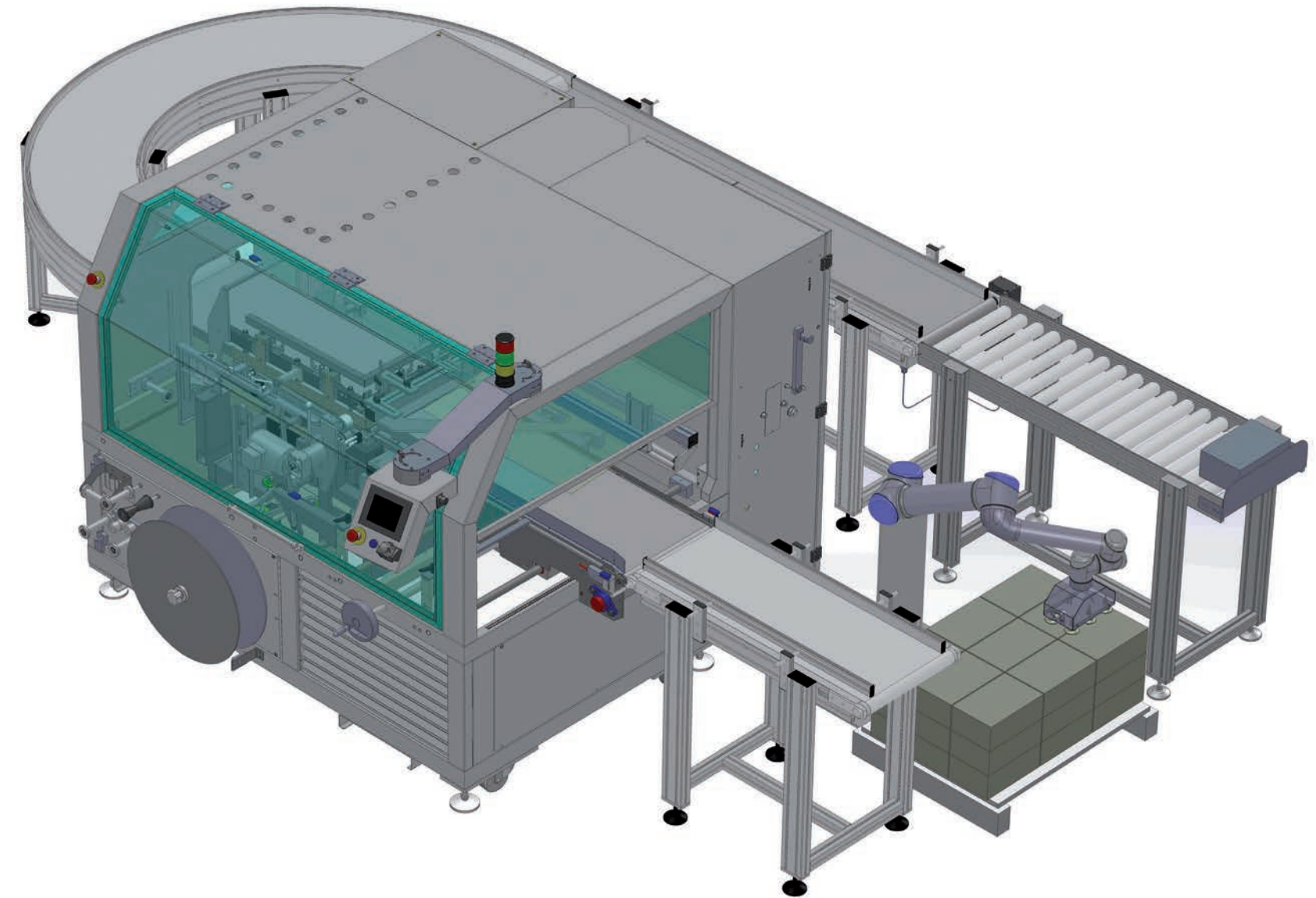
MINIPACK-TORRE S.P.A.

Via Provinciale, 54 - 24044 Dalmine (BG) - Italy
Tel.: +39.035563525 - Fax +39.035564945
www.minipack-torre.it - info@minipack-torre.it



NEW
ENGLISH

THE TECHNOLOGICAL FEATURES MAKE THE DIFFERENCE



ART DIRECTION BAGAR S.P.A. PRINTED 04.2014

PRATIKA TECHNOLOGY

MINIPACK-TORRE 

A HIGH PROFILE PARTNER

MINIPACK TORRE has chosen SCHNEIDER ELECTRIC as global partner for the electrical and electronic part of its automatic machines. SCHNEIDER ELECTRIC's international character is a synonym of reliability. Users of MINIPACK TORRE machines know they can always rely on - in addition to reliable and technologically advanced products - a widespread and efficient support and spare parts service on 5 continents, that cuts servicing costs and time



MACHINE CONTROL PLC

Performance, openness and flexibility, thanks to high-performance CPU (22ns/inst), embedded communication ports such as Ethernet, CANopen master and advanced on board features such as Data logging, WebServer and FTP server.

- It maximises operations and reduces maintenance
- It improves Diagnostics through remote access and transparency
- Basic Configuration born to comply with the most widespread machine standards

It improves machine performance:

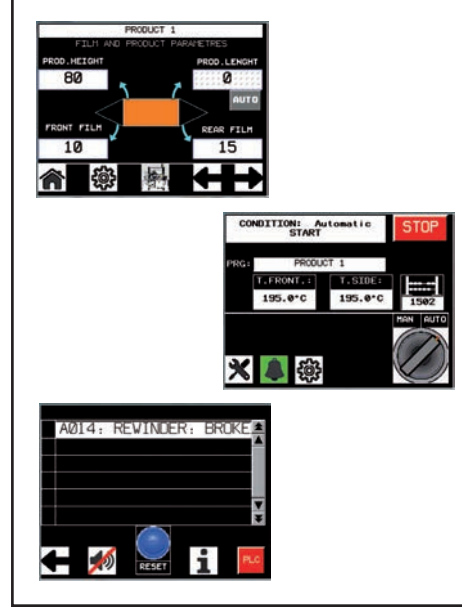
- Up to 16 independent axes
- Digital I/O needs: Up to 2400 I/Os
- Analogue I/O needs: 12 or 16 Bit resolution
- Advanced features: HSC / Reflex output / Event Tasks
- Peripherals Drives, servos: Up to 16 (8 on average) - graphical HMI
- Connection to higher level with embedded Ethernet



TOUCH SCREEN

Model MAGELIS GTO 2310
Schneider Electric

- Colour 5.7 inch touch-screen supplied as standard on the whole Pratika range
- Operator-friendly graphics
- Integrated USB port to download and load data and programs
- 250 programs
- Ethernet port included for data transfer



EASY TO USE

Simple to use, one-touch adjustments.

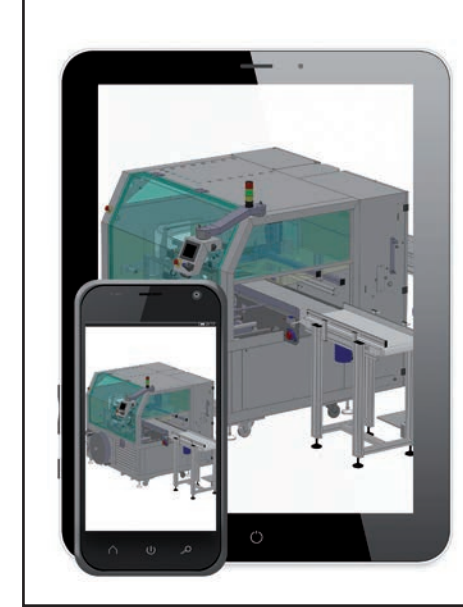
With the new intuitive graphics, adjustment is simple, just press the example product and enter the parameter.

This makes it possible to quickly enter all the necessary parameters, such as product size, belt speed or triangle height.



CONTROL PANEL ON 180-DEGREE ROTATING ARM

The new electrical arm position means the front is completely free, but the real advantage is that the operator can control the machine from any position most convenient to him.



WI-FI CONNECTION

With this new (optional) function, via a wi-fi system, machine control can be transferred directly to a PC, smartphone or tablet, by means of an App



BIOMETRIC READER

As an optional feature, a biometric button in the Harmony XB5S range can be supplied. This uses fingerprint recognition to control the machine. The authorised user database can be managed directly on the button, from PC or HMI Magelis dialogue interface.

Your finger will be your personal key!

Fingerprint recognition is one of the quickest and most accurate systems to control access and authorise authentication.

It prevents unauthorised access to the machinery, thus helping protect your personnel, your machines and the continuity of the production cycle.



"WIRELESS" BUTTONS WITHOUT BATTERY

Model Harmony®

It lets you give start and stop remote commands from line start or in line (optional)

Without additional cables, up to a distance of 15 metres